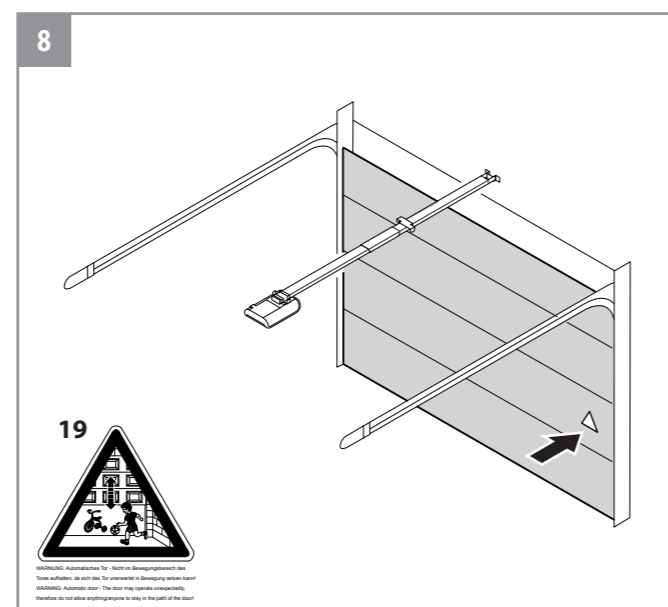
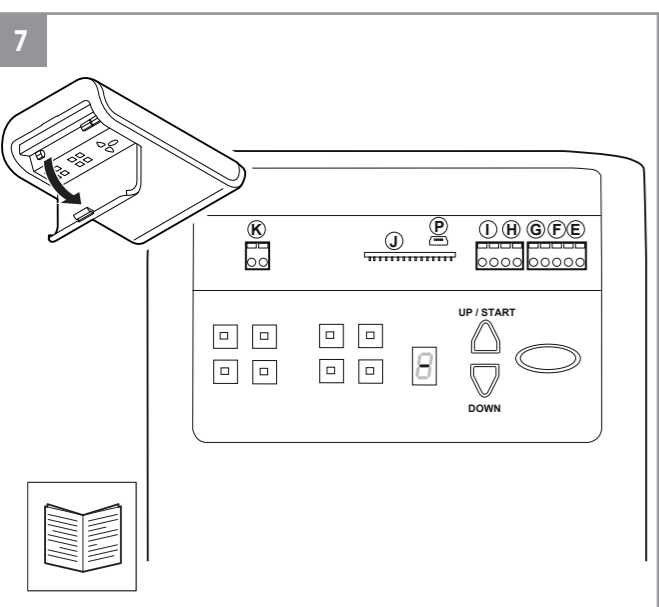
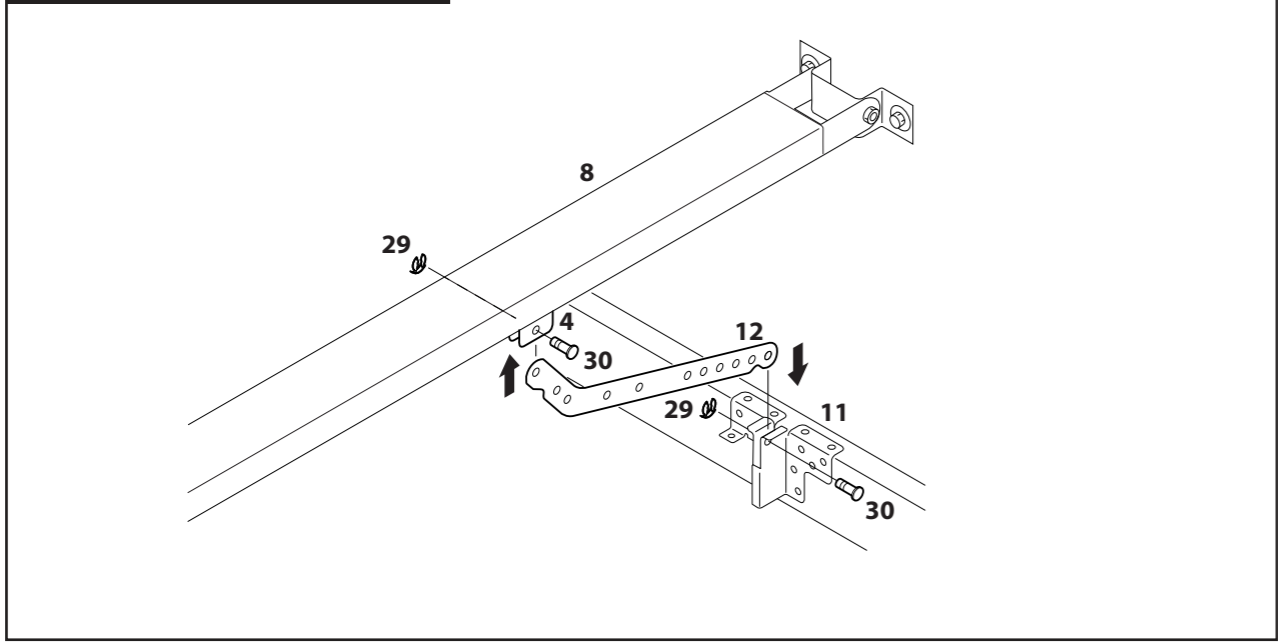


Up-and-over door / Sectional door



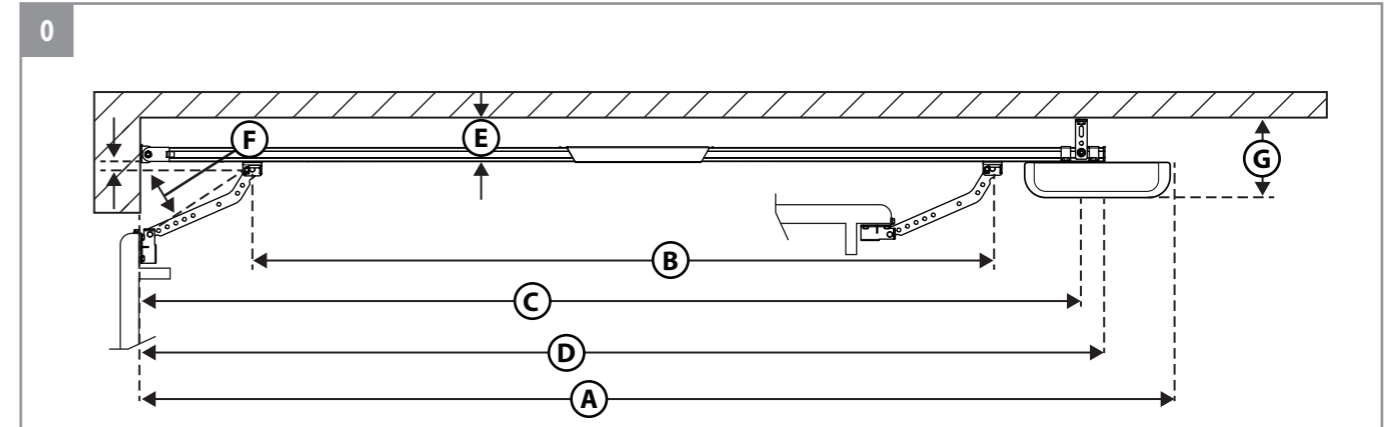
BOM 850C-II

2715 300 004 0a

PARTS

21 6x	22 6x	23 6x	24 1x	25 4x	26 5x	27 4x	28 8x	29 2x	30 2x
-------	-------	-------	-------	-------	-------	-------	-------	-------	-------

TOOLS



	ZS20	ZS40
A	3301 mm	4301 mm
B	3005 mm	4005 mm
C	3050 mm	4050 mm
D	3028 mm	4028 mm
E	>= 30 mm	>= 30 mm
F	30° - 45°	30° - 45°
G	>= 114 mm	>= 114 mm

