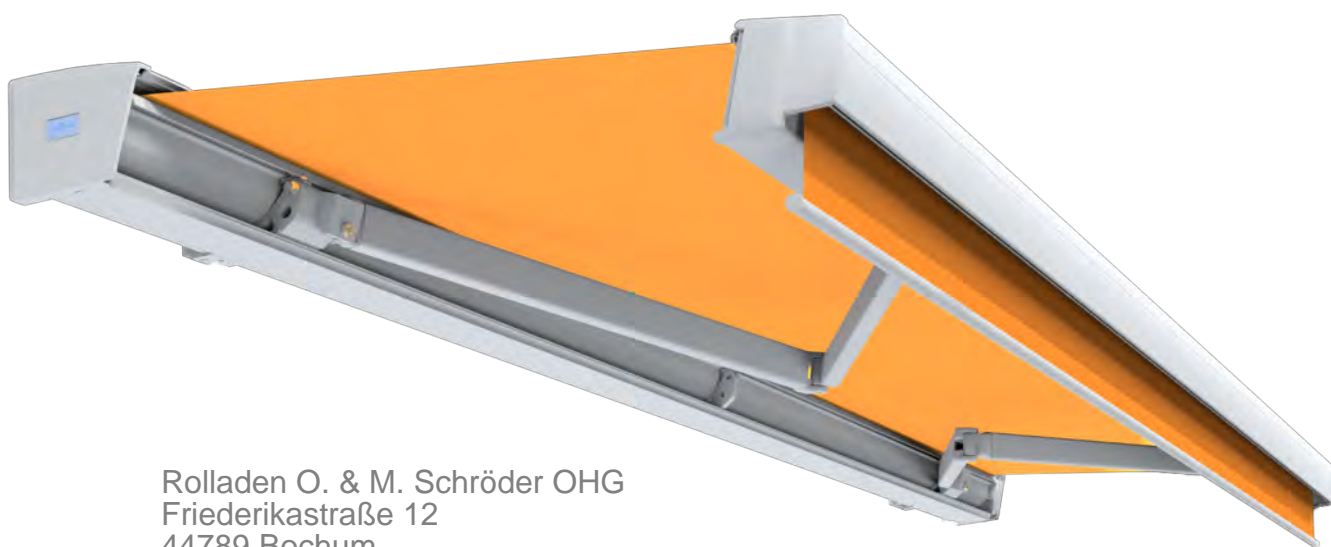


Changing the fabric on the Vario valance

Trentino Vario Volant



Rolladen O. & M. Schröder OHG
Friederikastraße 12
44789 Bochum
Deutschland
Telefon: +49 (0)234 301077
Telefax: +49(0)234 331682
E-Mail: info@rolladen-schroeder.de
Internet: www.rolladen-schroeder.de



Important safety instruction!



To ensure the safety of persons it is important to read these instructions carefully prior to installation and to follow them. The installation instructions should be kept in a safe place and if the awning is sold they must be passed on to the new owner.

Table of content

1. Repair.....	2
1.1. Changing the fabric on the Vario valance.....	2
1.1.1. Dismantling the Vario valance.....	2
1.1.2. Exchanging the fabric on the Vario valance.....	3
1.1.3. Fitting the Vario valance.....	3

Repair

1. Repair



Please note: Repairs may only be carried out by a specialist company. Only spare parts from Lewens Sonnenschutz GmbH may be used.



It is recommended that at least two persons carry out installation.

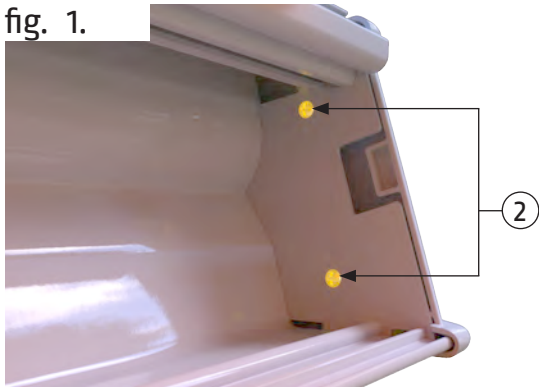


Please note: The awning must be dismantled for this purpose. The fabric must be replaced by a specialist company, or the awning returned to the manufacturer for this.

1.1. Changing the fabric on the Vario valance

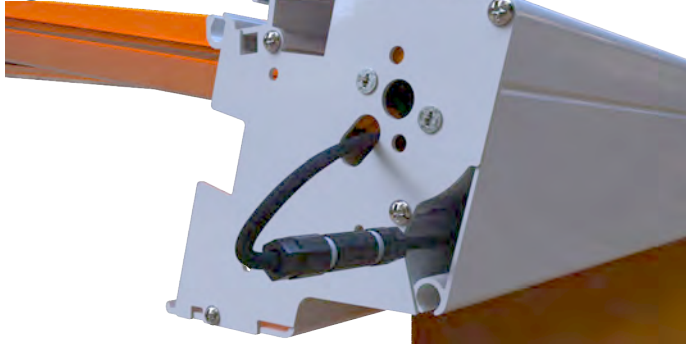
1.1.1. Dismantling the Vario valance

fig. 1.



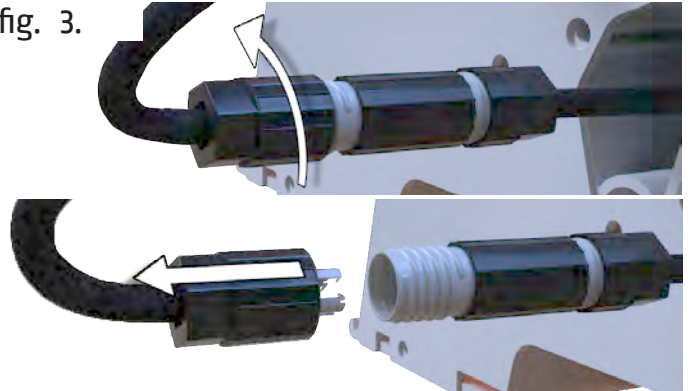
Unscrew the tapping screws [2] of the cover caps on both sides of the front profile on the inside.

fig. 2.



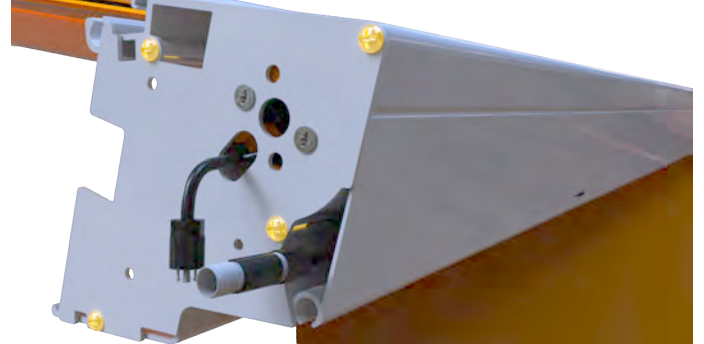
The plug is located in the profile chamber.
Remove the plug from the profile chamber.

fig. 3.



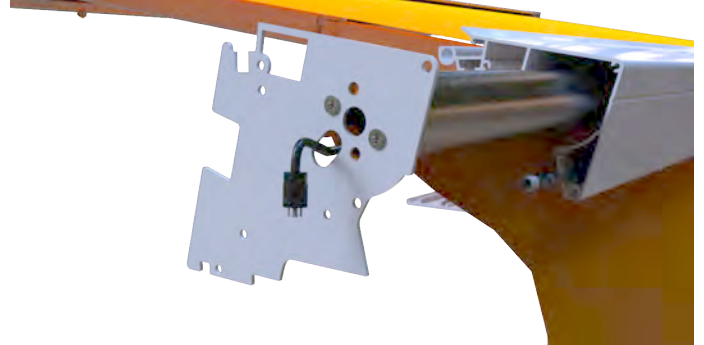
Disconnect the motor cable from the circular connector.

fig. 4.



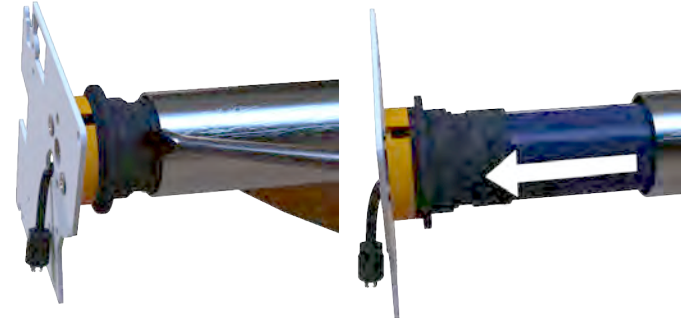
Release the side plate.

fig. 5.



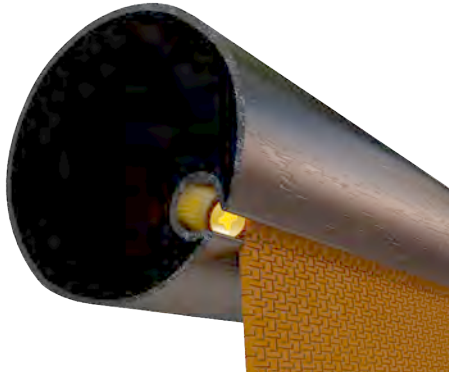
Remove the side plate together with the motor and roller tube laterally from the front profile.

fig. 6.



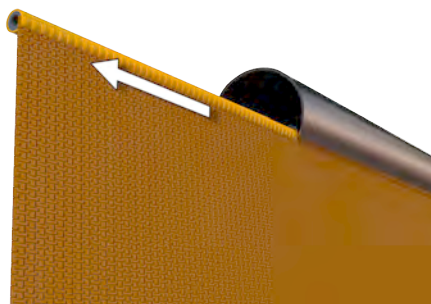
Take the motor out of the roller tube, if necessary with the aid of a screwdriver.

1.1.2. Exchanging the fabric on the Vario valance
fig. 7.



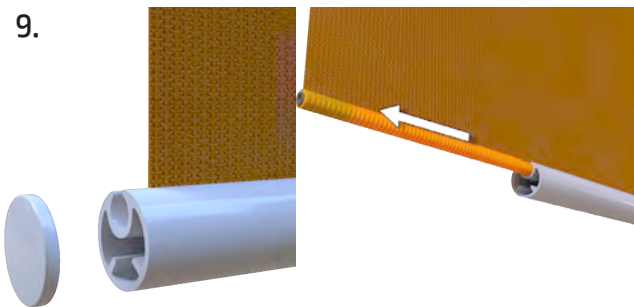
Release the welt dowel on both sides of the roller tube.

fig. 8.



Pull the fabric laterally out of the roller tube.

fig. 9.



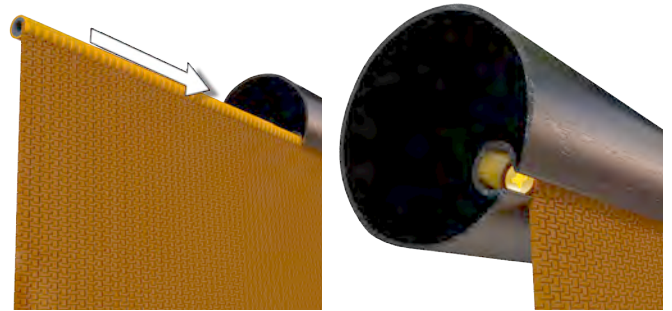
Remove the cap of the weighting profile and pull the fabric laterally out of the weighting profile.

fig. 10.



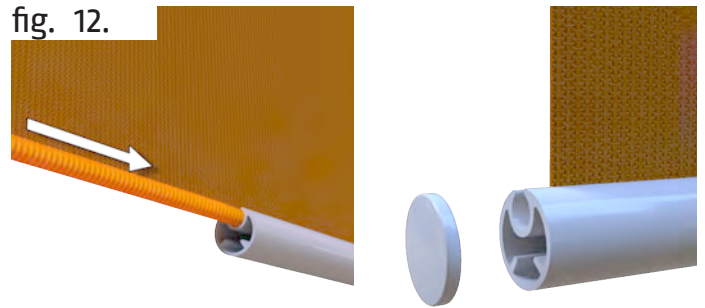
Take care not to damage the seams when inserting the new fabric!

fig. 11.



Insert the new fabric into the welt channel and tighten the welt dowel again.

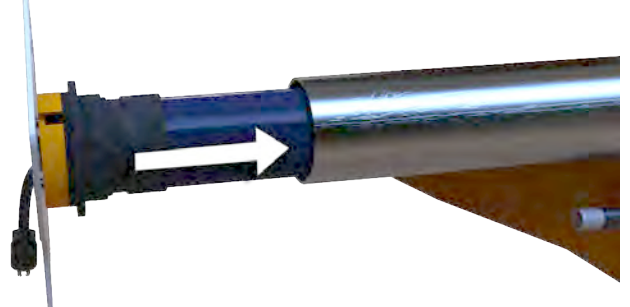
fig. 12.



Push the weighting profile onto the new fabric from the side and fit the cover cap.

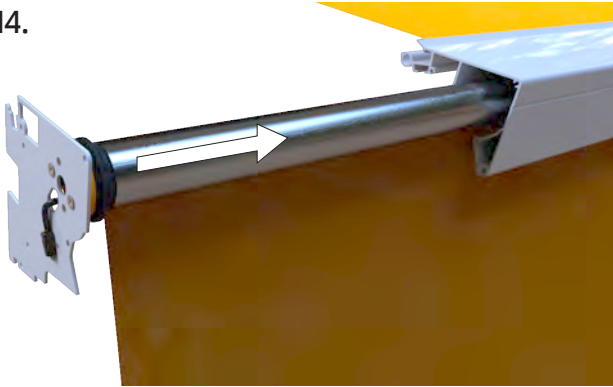
1.1.3. Fitting the Vario valance

fig. 13.



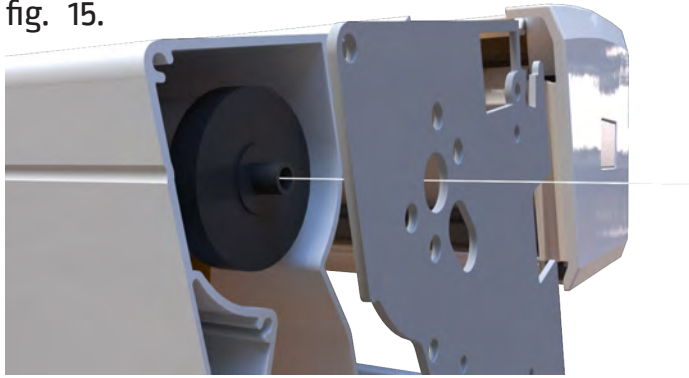
Push the motor fully into the roller tube.

fig. 14.



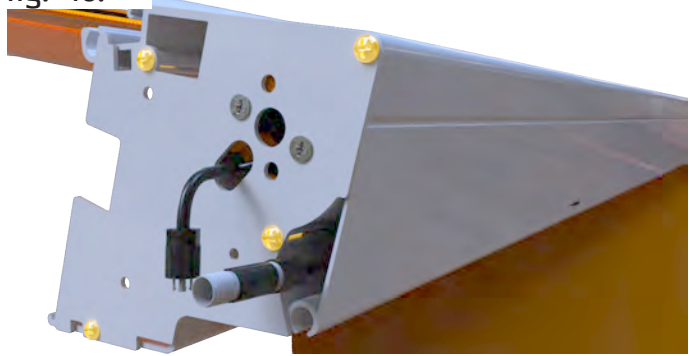
Push the roller tube with the motor laterally into the front profile.

fig. 15.



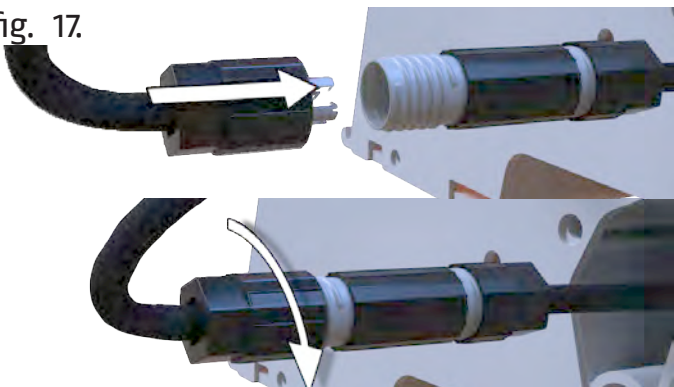
The bearing bush must be in the cover plate.

fig. 16.



Attach the side plate.

fig. 17.

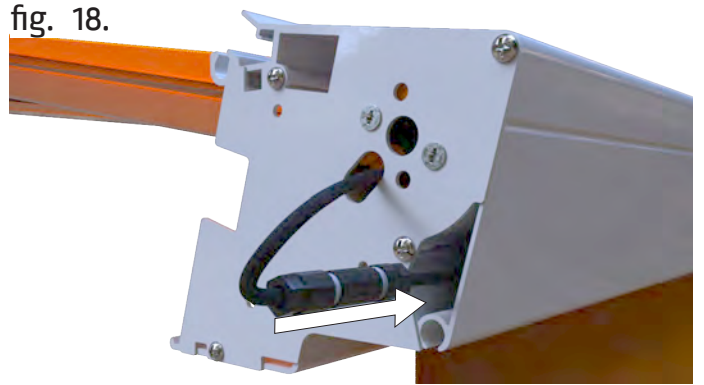


Reconnect the motor to the circular connector.



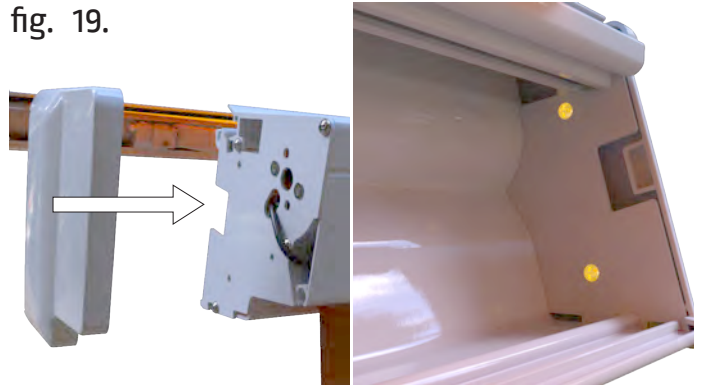
Caution! The plug only fits in one position.
Do not force it in!

fig. 18.



Stow the connection in the profile chamber.

fig. 19.



Fit the cover caps for the casing and front profile.